

Standard Z-BEAM

BIG-Z BEAM



BIG-Z Profile

Rapid Rack Boltless Units

- Easy to Install
- No Hardware
- Less Expensive
- Higher Capacity
- Double Entry
- Powder Coat

BIG-Z SPECIFICATIONS

The Big-Z is designed to be used with all Rapid Rack standard APH posts and can also be mixed with our standard Z-beam on the front to back to save even more (see image above).

Beam Material

14GA

Part #

DRBZHD72
DRBZHD96

Beam Weight

72" Beam = 9.5lbs
96" Beam = 13lbs

Weight Capacity

72" Beam = 3300lbs (with 3-ZTSHD shelf supports)
96" Beam = 2500lbs (with 3-ZTSHD shelf supports)

Adjustability

1.5in increments on either standard APH posts

Shelf Options

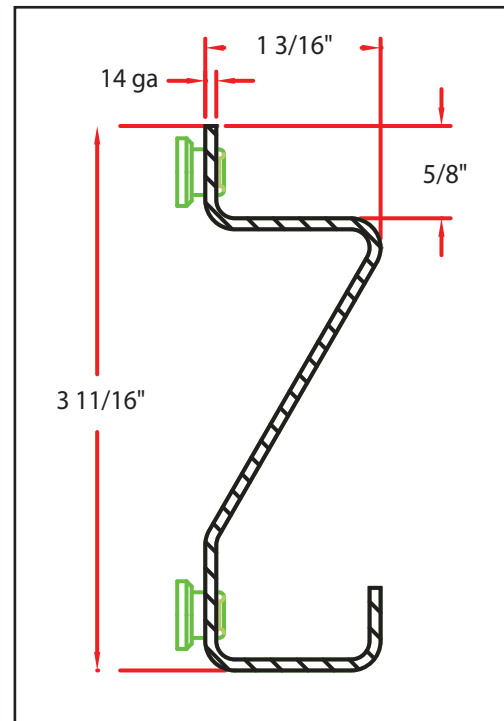
Stepped for 5/8 plywood/particle board or other decking material

Compatibility

Compatible with all Rapid Rack standard APH posts (See catalog for sizes)

Colors

Available in all Rapid Rack standard colors



NEED TO STORE MORE...

For Less Cost?



Now That's Smart!



Rapid Rack's New BIG-Z has 33% higher capacity than the standard heavy duty channel beam!

When your storage space is at a premium and you are all out of options, don't throw in the towel... beef up your shelving unit weight capacity with the new 'BIG-Z' heavy duty Z-beam. Not only does it hold more per shelf -- since it has no hardware -- it is also easier to install! The new 'BIG-Z' is also compatible with all your existing Rack Rack components.

So sit back... relax, and count on Rapid Rack for all your storage solution needs.

RAPID RACK

Manufacturer of Storage Solutions



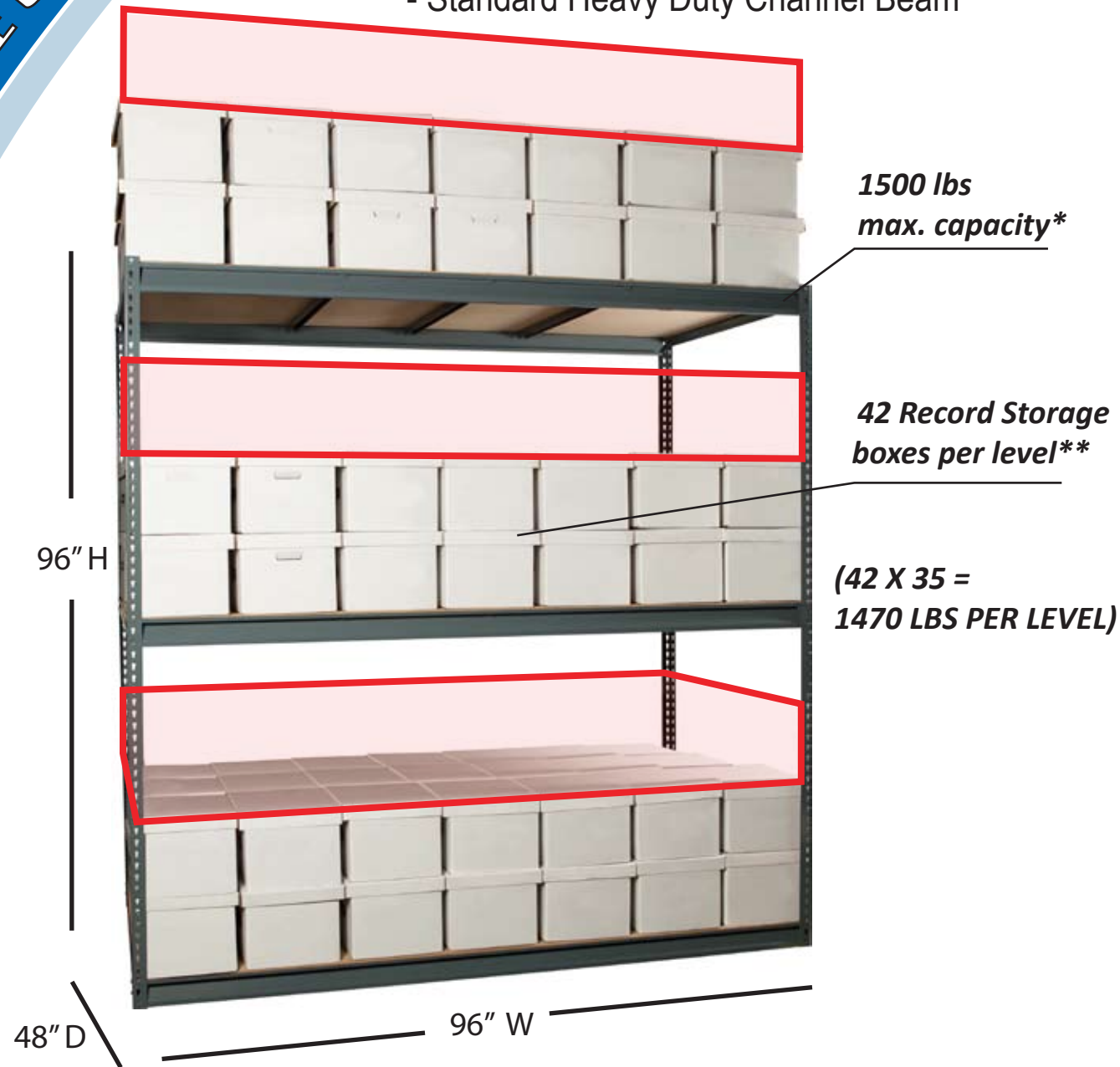
RAPID RACK

Manufacturer of Storage Solutions



THE TALE OF THE TAPE

The Competition
- Standard Heavy Duty Channel Beam



The results are in and the New BIG-Z, boltless beam stores more in the same space - The standard heavy duty channel beam is maxed out at 42 record storage boxes per level, but the BIG-Z keeps'em stacking to 63 boxes per level... or 50% more!

STORES MORE - - - SAVES MORE

THE BIG-Z
Patent Pending

2500 lbs max. capacity*

63 Record Storage boxes per level**

(63 X 35 = 2205 LBS PER LEVEL)



Look to the BIG-Z for all your Industrial Storage needs.



*Evenly distributed load

**Based on average box weights of 35lbs each

